



# F85N-90

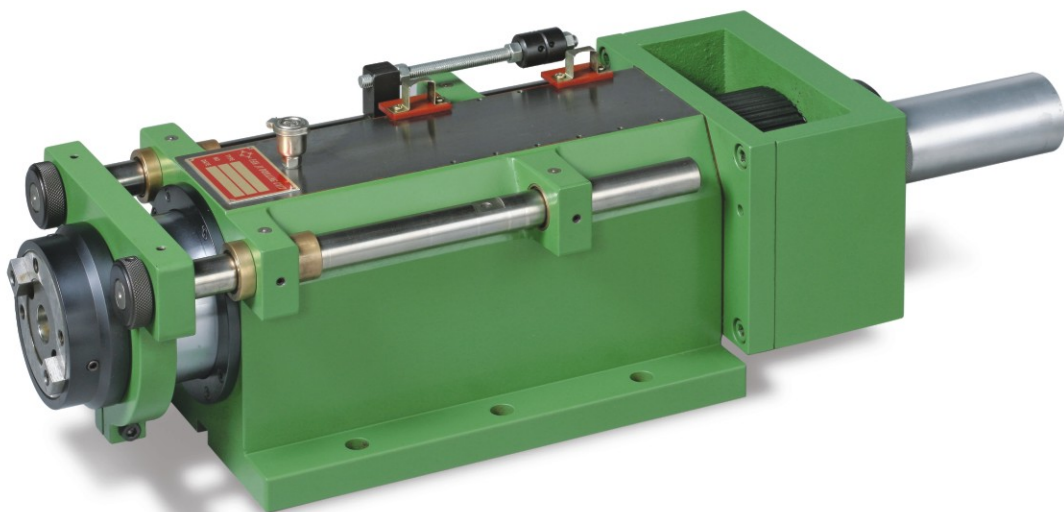
# Tapping Unit

## ■ Specification

Tapping Capacity	M50(Mild steel)
Stroke	90mm
Thread Pitch	0.8mm~3.0mm
Weight	89kg
Gauge Lubrication	Grease
Transmission	a. RS40-2 row-30T b. HTD-8YU-48T c. RS50-3 row-26T

## ■ Consumption Parts

Spindle Bearing	32210x1, 6210Zx1, 32010x1
Pulley Bearing	6212Zx1, 6212ZZx1
O-Ring for Spindle	TC-70-92-12x1
Front End Seal	DH-112x1
Packing	SER25x8

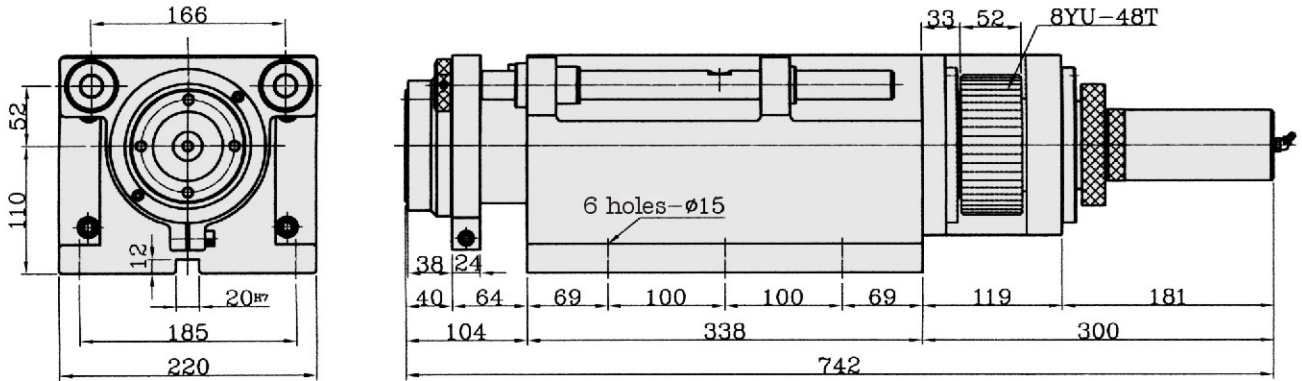




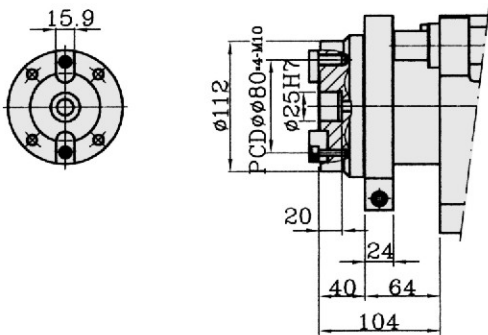
# F85N-90

# Tapping Unit

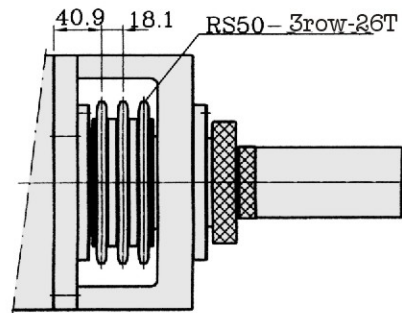
## ■ Dimensions



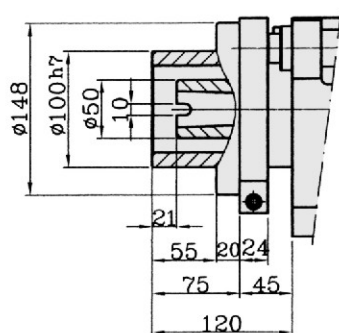
**F85N-90-FB30**



**RS50-3-26T**



**F85N-90-MT4B Multi**



**RS40-2-30T**

