



FD86-200

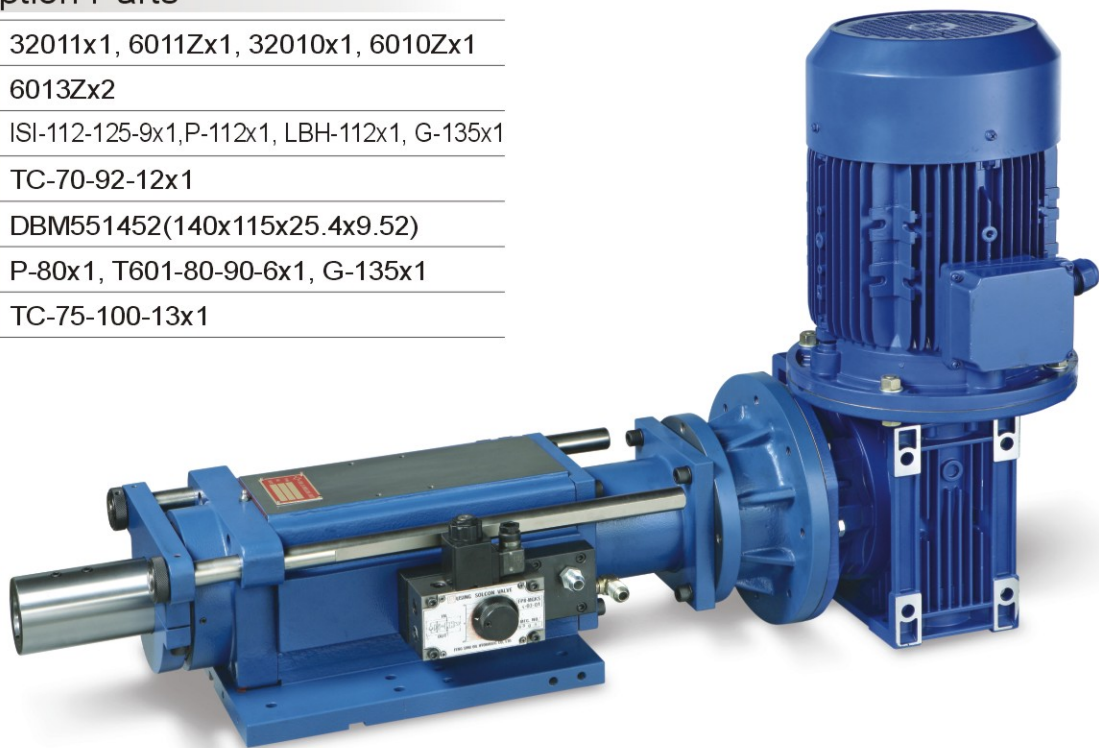
Drilling Unit

Specification

| | |
|------------------------|---|
| Hydraulic Pressure | 25~40kg/cm ² |
| Drilling Capacity | φ 50(mild steel) |
| Flow Control Valve | FCC-P03 |
| Max. Revolution/Minute | 500rpm |
| Weigh | 180kg |
| Stroke | 200mm |
| Cylinder Diameter | φ 140 |
| Cylinder Area | Forward 103.67cm ² , Backward 55.42cm ² |
| Thrust Force | 3,600kg(35kg/cm ²) |

Consumption Parts

| | |
|-----------------------|---|
| Spindle Bearing | 32011x1, 6011Zx1, 32010x1, 6010Zx1 |
| Pullye Bearing | 6013Zx2 |
| Front End Seal | ISI-112-125-9x1,P-112x1, LBH-112x1, G-135x1 |
| O-Ring for Spindle | TC-70-92-12x1 |
| O-Ring for Piston | DBM551452(140x115x25.4x9.52) |
| Back End Seal | P-80x1, T601-80-90-6x1, G-135x1 |
| O-Ring for Rear Cover | TC-75-100-13x1 |

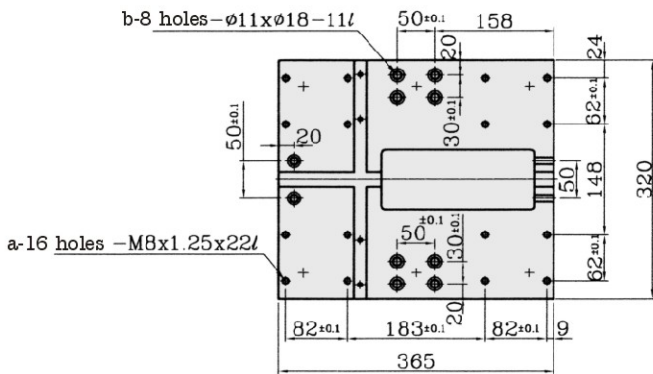
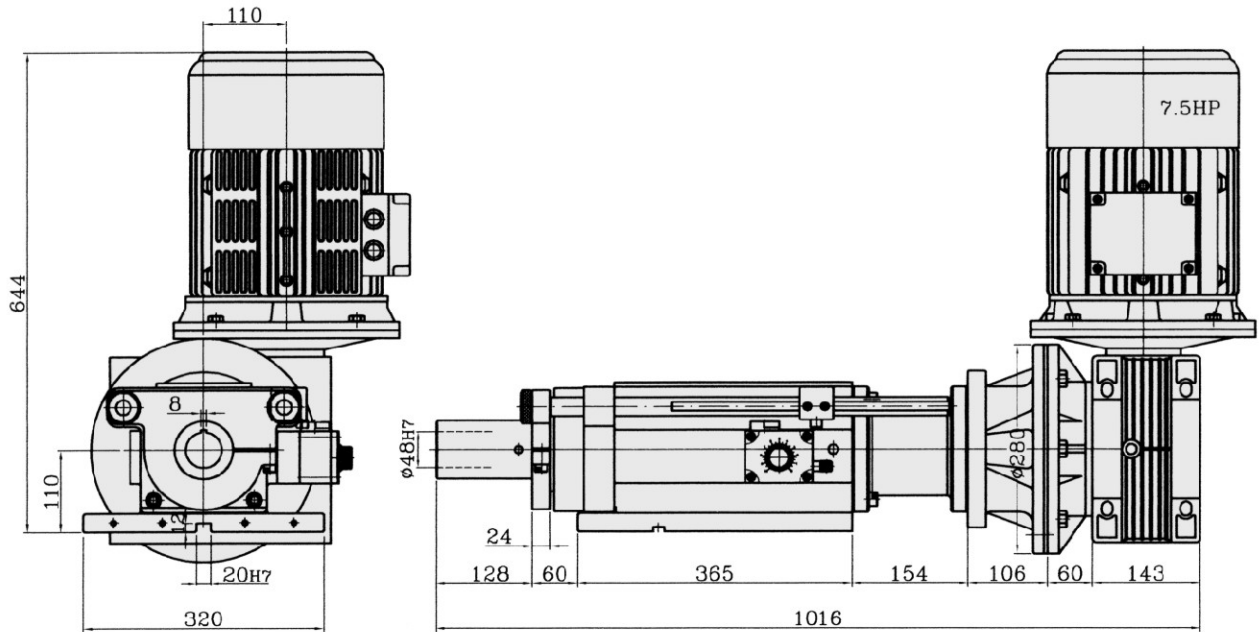




FD86-200

Drilling Unit

■ Dimensions



FD86-200-AS48

